

PacketFence 

# Developer's Guide

PacketFence v12.0.0

Version 12.0.0 - October 2022

# Table of Contents

1. About this Guide	2
1.1. Other sources of information	2
2. Creating a new Switch via a Template	3
2.1. Using web admin	3
2.2. Using CLI	3
2.3. Required Parameters	3
2.4. RADIUS scope Parameters	3
2.5. Additional parameters	4
2.6. Comments	4
2.7. Defining RADIUS Attributes	4
2.8. Dynamic RADIUS Attribute Value Syntax	4
3. Documentation	15
4. AsciiDoctor documentation	16
4.1. Documentation Conventions	16
4.2. Checklist to create a new guide	21
5. Development environment setup	22
6. Golang environment	23
6.1. PacketFence Golang libraries	23
7. Code conventions	27
7.1. Code style	27
8. HTTP JSON API	29
8.1. How to use the API	29
9. Customizing PacketFence	31
9.1. Captive Portal	31
9.2. Adding custom fields to the database	32
9.3. VLAN assignment	33
10. SNMP	34
10.1. Introduction	34
10.2. Obtaining switch and port information	34
11. Supporting new network hardware	35
11.1. Switch	35
11.2. Wireless Access-Points or Controllers	38
11.3. The "adding a new network device module in PacketFence" checklist	40
12. PacketFence builds	41
12.1. Packer	41
12.2. Anatomy of Packer template	41
12.3. How to build container images ?	41
12.4. Troubleshooting	42
13. Developer recipes	43
13.1. Virtual environment	43
13.2. Running development version	44
14. Containers recipes	46
14.1. Glossary	46
14.2. Applying a custom patch on a server running the packages	46
14.3. Altering the code in a container on a server running the packages	46
15. Running tests	47

15.1. Unit tests .....	47
15.2. Integration tests .....	48
16. Contributing .....	54
16.1. Creating patches .....	54
16.2. Translations .....	54
17. Additional Information .....	56
18. Commercial Support and Contact Information .....	57
19. GNU Free Documentation License .....	58

Copyright © 2022 Inverse inc.

Permission is granted to copy, distribute and/or modify this document under the terms of the GNU Free Documentation License, Version 1.2 or any later version published by the Free Software Foundation; with no Invariant Sections, no Front-Cover Texts, and no Back-Cover Texts. A copy of the license is included in the section entitled "GNU Free Documentation License".

The fonts used in this guide are licensed under the SIL Open Font License, Version 1.1. This license is available with a FAQ at: <http://scripts.sil.org/OFL>

Copyright © Łukasz Dziejczak, <http://www.latofonts.com/>, with Reserved Font Name: "Lato".

Copyright © Raph Levien, <http://levien.com/>, with Reserved Font Name: "Inconsolata".

inverse

# 1. About this Guide

This guide will help you modify PacketFence to your specific needs and contains information on how to add support for new switches.

The latest version of this guide is available at <https://packetfence.org/documentation/>.

## 1.1. Other sources of information

### Clustering Guide

Covers installation in a clustered environment.

### Installation Guide

Covers installation and configuration of PacketFence.

### Network Devices Configuration Guide

Covers switches, WiFi controllers and access points configuration.

### Upgrade Guide

Covers compatibility related changes, manual instructions and general notes about upgrading.

### PacketFence News

Covers noteworthy features, improvements and bug fixes by release.

These files are included in the package and release tarballs.

## 2. Creating a new Switch via a Template

### 2.1. Using web admin

You can directly create or edit switch templates in [Configuration](#) [Integration](#) [Switch Templates](#) menu.

### 2.2. Using CLI

To create a new Switch Template you must create a template file in the `/usr/local/pf/lib/pf/Switch` directory. The file must have the following pattern `/usr/local/pf/lib/pf/Switch/<Vendor>/<SwitchName>.def`.

For example to create a template for the vendor [Cyberdyne](#) and switch [Switchinator 800](#). The file name is `/usr/local/pf/lib/pf/Switch/Cyberdyne/Switchinator800.def` The file name must only consist of alphanumeric characters and under scores and must begin with a letter.

Once you have completed your switch template, you will need to perform the following commands so it can be used:

```
/usr/local/pf/addons/dev-helpers/bin/generator-template-switches-defaults.pl
/usr/local/pf/bin/pfcmd configreload hard
/usr/local/pf/bin/pfcmd service pf restart
```

The file consist of parameter names and their values. There is no sections but RADIUS scope parameters act like this.

No scopes are inherited from a base switch template, you need to define each scope you want to use.

You can find a full working example [below](#). Other examples are available in `/usr/local/pf/lib/pf/Switch/` folder.

### 2.3. Required Parameters

- description - The description of the switch.
- radiusDisconnect - The RADIUS disconnect methods to use. Must be one of the following values `coa|disconnect|coaOrDisconnect` .

### 2.4. RADIUS scope Parameters

- acceptVlan - Attributes for accept vlan scope
- acceptRole - Attributes for accept role scope.

- reject - Attributes for rejection scope.
- disconnect - Attributes for disconnect scope (required if radiusDisconnect is 'disconnect' or 'coaOrDisconnect')
- coa - Attributes for CoA scope (required if radiusDisconnect is 'coa' or 'coaOrDisconnect')
- voip - Attributes for VOIP scope (If VOIP is enabled)
- bounce - Attributes for bounce scope

## 2.5. Additional parameters

- snmpDisconnect - If SNMP protocol should be use to disconnect (values: **enabled** or **disabled**)

## 2.6. Comments

The line of a comment must begin with a '#' For example:

```
# This is a comment
```

## 2.7. Defining RADIUS Attributes

```
scopeName = <<EOT
Attribute-Name1 = value1
Attribute-Name2 = value2
EOT
```

## 2.8. Dynamic RADIUS Attribute Value Syntax

Some values depends on the context of the current request. So here is mini templating language to format values.

- Text replacement: **\$name**
- Embedded text replacement: **start- $\{name\}$ -end**
- Functions:  **$\{f1("",$var, f2())\}$**

### 2.8.1. Available variables for RADIUS scope

- acceptRole - (Same as acceptVlan)
- reject - (Same as acceptVlan)
- acceptVlan
  - autoreg
  - connection\_sub\_type
  - connection\_type



- eap\_type
- fingerbank\_info.device\_name
- fingerbank\_info.device\_fq
- fingerbank\_info.device\_hierarchy\_names
- fingerbank\_info.device\_hierarchy\_ids
- fingerbank\_info.score
- fingerbank\_info.version
- fingerbank\_info.mobile
- ifDesc
- ifIndex
- isPhone
- last\_accounting.acctsessionid
- last\_accounting.username
- locationlog.connection\_sub\_type
- locationlog.connection\_type
- locationlog.dot1x\_username
- locationlog.end\_time
- locationlog.ifDesc
- locationlog.mac
- locationlog.port
- locationlog.realm
- locationlog.role
- locationlog.session\_id
- locationlog.ssid
- locationlog.start\_time
- locationlog.stripped\_user\_name
- locationlog.switch
- locationlog.switch\_ip
- locationlog.switch\_ip\_int
- locationlog.switch\_mac
- locationlog.vlan
- locationlog.voip
- mac
- nas\_port\_id
- nas\_port\_type
- node\_info.autoreg
- node\_info.status
- node\_info.bypass\_vlan

- node\_info.bandwidth\_balance
- node\_info.regdate
- node\_info.bypass\_role
- node\_info.device\_class
- node\_info.device\_type
- node\_info.device\_version
- node\_info.device\_score
- node\_info.pid
- node\_info.machine\_account
- node\_info.category
- node\_info.mac
- node\_info.last\_arp
- node\_info.lastskip
- node\_info.last\_dhcp
- node\_info.user\_agent
- node\_info.computername
- node\_info.dhcp\_fingerprint
- node\_info.detect\_date
- node\_info.voip
- node\_info.notes
- node\_info.time\_balance
- node\_info.sessionid
- node\_info.dhcp\_vendor
- profile.\_access\_registration\_when\_registered
- profile.\_always\_use\_redirecturl
- profile.\_autoregister
- profile.\_block\_interval
- profile.\_description
- profile.\_dot1x\_recompute\_role\_from\_portal
- profile.\_dot1x\_unset\_on\_unmatch
- profile.\_dpsk
- profile.\_locale
- profile.\_login\_attempt\_limit
- profile.\_logo
- profile.\_name
- profile.\_network\_logoff
- profile.\_network\_logoff\_popup
- profile.\_preregistration

- profile.\_redirecturl
- profile.\_reuse\_dot1x\_credentials
- profile.\_root\_module
- profile.\_self\_service
- profile.\_sms\_pin\_retry\_limit
- profile.\_sms\_request\_limit
- profile.\_status
- profile.\_unreg\_on\_acct\_stop
- profile.\_vlan\_pool\_technique
- radius\_request.<Radius Attribute Name>
- realm
- session\_id
- source\_ip
- ssid
- stripped\_user\_name
- switch.\_ExternalPortalEnforcement
- switch.\_RoleMap
- switch.\_VpnMap
- switch.\_SNMPAuthPasswordRead
- switch.\_SNMPAuthPasswordTrap
- switch.\_SNMPAuthPasswordWrite
- switch.\_SNMPAuthProtocolRead
- switch.\_SNMPAuthProtocolTrap
- switch.\_SNMPAuthProtocolWrite
- switch.\_SNMPCommunityRead
- switch.\_SNMPCommunityTrap
- switch.\_SNMPCommunityWrite
- switch.\_SNMPEngineID
- switch.\_SNMPPrivPasswordRead
- switch.\_SNMPPrivPasswordTrap
- switch.\_SNMPPrivPasswordWrite
- switch.\_SNMPPrivProtocolRead
- switch.\_SNMPPrivProtocolTrap
- switch.\_SNMPPrivProtocolWrite
- switch.\_SNMPUserNameRead
- switch.\_SNMPUserNameTrap
- switch.\_SNMPUserNameWrite
- switch.\_SNMPVersion

- switch.\_SNMPVersionTrap
- switch.\_TenantId
- switch.\_UrlMap
- switch.\_VlanMap
- switch.\_VoIPEnabled
- switch.\_cliEnablePwd
- switch.\_cliPwd
- switch.\_cliTransport
- switch.\_cliUser
- switch.\_coaPort
- switch.\_controllerIp
- switch.\_deauthMethod
- switch.\_disconnectPort
- switch.\_id
- switch.\_inlineTrigger
- switch.\_ip
- switch.\_macSearchesMaxNb
- switch.\_macSearchesSleepInterval
- switch.\_mode
- switch.\_roles
- switch.\_switchIp
- switch.\_switchMac
- switch.\_uplink
- switch.\_useCoA
- switch.\_vlans
- switch.\_wsPwd
- switch.\_wsTransport
- switch.\_wsUser
- switch\_ip
- switch\_mac
- time
- user\_name
- user\_role
- vlan
- wasInline
- coa
  - last\_accounting.acctsessionid
  - last\_accounting.username

- mac
- locationlog.connection\_sub\_type
- locationlog.connection\_type
- locationlog.dot1x\_username
- locationlog.end\_time
- locationlog.ifDesc
- locationlog.mac
- locationlog.port
- locationlog.realm
- locationlog.role
- locationlog.session\_id
- locationlog.ssid
- locationlog.start\_time
- locationlog.stripped\_user\_name
- locationlog.switch
- locationlog.switch\_ip
- locationlog.switch\_ip\_int
- locationlog.switch\_mac
- locationlog.vlan
- locationlog.voip
- role
- time
- disconnect
  - disconnectIp
  - last\_accounting.acctsessionid
  - last\_accounting.username
  - locationlog.connection\_sub\_type
  - locationlog.connection\_type
  - locationlog.dot1x\_username
  - locationlog.end\_time
  - locationlog.ifDesc
  - locationlog.mac
  - locationlog.port
  - locationlog.realm
  - locationlog.role
  - locationlog.session\_id
  - locationlog.ssid
  - locationlog.start\_time

- locationlog.stripped\_user\_name
- locationlog.switch
- locationlog.switch\_ip
- locationlog.switch\_ip\_int
- locationlog.switch\_mac
- locationlog.vlan
- locationlog.voip
- mac
- time
- voip
  - switch.\_ExternalPortalEnforcement
  - switch.\_RoleMap
  - switch.\_VpnMap
  - switch.\_SNMPAuthPasswordRead
  - switch.\_SNMPAuthPasswordTrap
  - switch.\_SNMPAuthPasswordWrite
  - switch.\_SNMPAuthProtocolRead
  - switch.\_SNMPAuthProtocolTrap
  - switch.\_SNMPAuthProtocolWrite
  - switch.\_SNMPCommunityRead
  - switch.\_SNMPCommunityTrap
  - switch.\_SNMPCommunityWrite
  - switch.\_SNMPEngineID
  - switch.\_SNMPPrivPasswordRead
  - switch.\_SNMPPrivPasswordTrap
  - switch.\_SNMPPrivPasswordWrite
  - switch.\_SNMPPrivProtocolRead
  - switch.\_SNMPPrivProtocolTrap
  - switch.\_SNMPPrivProtocolWrite
  - switch.\_SNMPUserNameRead
  - switch.\_SNMPUserNameTrap
  - switch.\_SNMPUserNameWrite
  - switch.\_SNMPVersion
  - switch.\_SNMPVersionTrap
  - switch.\_TenantId
  - switch.\_UrlMap
  - switch.\_VlanMap
  - switch.\_VoIPEnabled

- switch.\_cliEnablePwd
- switch.\_cliPwd
- switch.\_cliTransport
- switch.\_cliUser
- switch.\_coaPort
- switch.\_controllerIp
- switch.\_deauthMethod
- switch.\_disconnectPort
- switch.\_id
- switch.\_inlineTrigger
- switch.\_ip
- switch.\_macSearchesMaxNb
- switch.\_macSearchesSleepInterval
- switch.\_mode
- switch.\_roles
- switch.\_switchIp
- switch.\_switchMac
- switch.\_uplink
- switch.\_useCoA
- switch.\_vlans
- switch.\_wsPwd
- switch.\_wsTransport
- switch.\_wsUser
- time
- vlan
- bounce
  - disconnectIp
  - ifIndex
  - last\_accounting.acctsessionid
  - last\_accounting.username
  - locationlog.connection\_sub\_type
  - locationlog.connection\_type
  - locationlog.dot1x\_username
  - locationlog.end\_time
  - locationlog.ifDesc
  - locationlog.mac
  - locationlog.port
  - locationlog.realm

- locationlog.role
- locationlog.session\_id
- locationlog.ssid
- locationlog.start\_time
- locationlog.stripped\_user\_name
- locationlog.switch
- locationlog.switch\_ip
- locationlog.switch\_ip\_int
- locationlog.switch\_mac
- locationlog.vlan
- locationlog.voip
- mac
- switch.\_cliEnablePwd
- switch.\_cliPwd
- switch.\_cliTransport
- switch.\_cliUser
- switch.\_coaPort
- switch.\_controllerIp
- switch.\_deauthMethod
- switch.\_disconnectPort
- switch.\_ExternalPortalEnforcement
- switch.\_id
- switch.\_inlineTrigger
- switch.\_ip
- switch.\_macSearchesMaxNb
- switch.\_macSearchesSleepInterval
- switch.\_mode
- switch.\_RoleMap
- switch.\_VpnMap
- switch.\_roles
- switch.\_SNMPAuthPasswordRead
- switch.\_SNMPAuthPasswordTrap
- switch.\_SNMPAuthPasswordWrite
- switch.\_SNMPAuthProtocolRead
- switch.\_SNMPAuthProtocolTrap
- switch.\_SNMPAuthProtocolWrite
- switch.\_SNMPCommunityRead
- switch.\_SNMPCommunityTrap



- switch.\_SNMPCommunityWrite
- switch.\_SNMPEngineID
- switch.\_SNMPPrivPasswordRead
- switch.\_SNMPPrivPasswordTrap
- switch.\_SNMPPrivPasswordWrite
- switch.\_SNMPPrivProtocolRead
- switch.\_SNMPPrivProtocolTrap
- switch.\_SNMPPrivProtocolWrite
- switch.\_SNMPUserNameRead
- switch.\_SNMPUserNameTrap
- switch.\_SNMPUserNameWrite
- switch.\_SNMPVersion
- switch.\_SNMPVersionTrap
- switch.\_switchIp
- switch.\_switchMac
- switch.\_TenantId
- switch.\_uplink
- switch.\_UrlMap
- switch.\_useCoA
- switch.\_VlanMap
- switch.\_vlans
- switch.\_VoIPEnabled
- switch.\_wsPwd
- switch.\_wsTransport
- switch.\_wsUser
- time

## 2.8.2. Available functions

- **macToEUI48(\$mac)** - format a mac to AA-BB-CC-DD-FF-EE format
- **uc(\$string)** - uppercases a string
- **lc(\$string)** - lowercases a string
- **log(\$string)** - log a message to the log
- **substr(\$str, \$offset, \$len)** - Extracts a substring from a string
- **split(\$sep, \$str)** - Split a string by a separator.
- **join(\$sep, \$a, \$b, ..)** - Join a list of string with a separator.
- **replace(\$str, \$old, \$new)** - Replace the old string with a new string.

### 2.8.3. Full Working Example

```
description = The Switchinator 800
radiusDisconnect = disconnect

acceptVlan = <<EOT
Tunnel-Medium-Type = 6
Tunnel-Type = 13
Tunnel-Private-Group-Id = $vlan
EOT

acceptRole = <<EOT
Filter-Id = $role
EOT

reject = <<EOT
Reply-Message = Hasta la vista, baby.
EOT

disconnect = <<EOT
Calling-Station-Id= ${macToEUI48($mac)}
NAS-IP-Address = $disconnectIp
EOT

coa = <<EOT
Calling-Station-Id= ${macToEUI48($mac)}
NAS-IP-Address = $disconnectIp
Filter-Id = $role
EOT

bounce= <<EOT
Cisco-AVPair = subscriber:command=bounce-host-port
Acct-Session-Id = $last_accounting.acctsessionid
EOT
```

## 3. Documentation

The in-depth or more technical documentation is always as close to the code as possible. Always look at the **POD** doc <sup>[1]</sup>. To do so, the preferred way is using the **perldoc** command as follows:

```
perldoc lib/pfconfig/cached.pm
```

[1] Perl's Plain Old Documentation: <http://perldoc.perl.org/perlpod.html>

# 4. AsciiDoctor documentation

## 4.1. Documentation Conventions

### 4.1.1. Shell commands in code blocks

To ease copy-paste of shell commands:

- Remove useless characters in code blocks like # or \$
- Split long lines with \

### 4.1.2. Titles

We use AsciiDoctor tags for section titles (headings) in place of AsciiDoc tags, see table below for equivalence:

Table 1. Compatibility between AsciiDoc and AsciiDoctor syntax for section titles

Level	AsciiDoc syntax (old)	AsciiDoctor syntax (new)
Level 0 (Document title)	====	=
Level 1	----	==
Level 2	~::~	===
Level 3	^^^	=====
Level 4	+	=====

### 4.1.3. Other Conventions

\\* (asterisk) for important vocabulary. Ex: \*This Part\* is important

\_ (underscore) for menus. Ex: \_Configuration → Policies and Access Control → Connection Profile → Profile Name\_

backquotes ` for buttons. Ex: Click on `Save`

### 4.1.4. Inter-document cross references

We use [inter-document cross references feature](#) to make links between all PacketFence guides. When we need to link to a specific section of a document, we use [automatic anchors feature](#) to have a correct display in PDF.

### 4.1.5. List of AsciiDoctor tags used

Source: [AsciiDoc Mark-up Quick Reference for Red Hat Documentation](#)


**NOTE**


Some markup examples used in this overview are based on new AsciiDoctor features and they are not a part of the standard set of elements. Please, use the `:experimental:` tag in the header of your document to enable this functionality.

Element	Mark-up	Example rendered output
Application name	No special markup	The foo application.
Code blocks	<pre>[source,golang] ---- package main  import "fmt"  func main() {     fmt.Println("Hello World !") } ----</pre>	<pre>package main  import "fmt"  func main() {     fmt.Println("Hello World !") }</pre>
Code - inline	<code>`print("Hello, World!")`</code>	<code>print("Hello, World!")</code>
Command block	<pre>---- \$ echo "Hello, World!" &gt; hello.txt ----</pre>	<pre>\$ echo "Hello, World!" &gt; hello.txt</pre>
Command - inline	Use the <code>[command]</code> <code>`oc get`</code> command to get a list of services.	Use the <code>oc get</code> command to get a list of services.
Emphasis for a term	Use <code>_this_</code> approach.	Use <i>this</i> approach.

Element	Mark-up	Example rendered output
Filenames or directory paths	<p>Edit the [filename]`pf.conf` file as required and save your changes.</p> <p>The [filename]`networks.conf` configuration file is located in the [filename]`/usr/local/pf/` directory.</p>	<p>Edit the <code>pf.conf</code> file as required and save your changes.</p> <p>The <code>networks.conf</code> configuration file is located in the <code>/usr/local/pf/</code> directory.</p>

Element	Mark-up	Example rendered output
GUI Text	The web browser displays *404* for an unreachable URL.	The web browser displays <b>404</b> for an unreachable URL.
GUI Button (experimental feature, AsciiDoctor only)	Click btn:[Save As] to save the file under a different name.	Click btn:[Save As] to save the file under a different name.
GUI Menu (experimental feature, AsciiDoctor only)	Navigate to menu:File[Import>Import csv] to import a csv file.	Navigate to menu:File[Import>Import csv] to import a csv file.
GUI button and menu (non-experimental)	Navigate to _Configuration -> Policies and Access Control_	Navigate to <i>Configuration</i> → <i>Policies and Access Control</i>

Element	Mark-up	Example rendered output
Inline Image	image::pf-logo.png[width=25px]	

Element	Mark-up	Example rendered output
Block Image	<pre>.PacketFence image::pf- logo.png[width=25px]</pre>	 <p>Figure 1. PacketFence</p>
Inline operations and user input	<p>The `GET` operation can be used to do something.</p> <p>Answer by typing `Yes` or `No` when prompted.</p>	<p>The <b>GET</b> operation can be used to do something.</p> <p>Answer by typing <b>Yes</b> or <b>No</b> when prompted.</p>

Element	Mark-up	Example rendered output
Keyboard shortcuts (experimental feature, AsciiDoctor only)	<pre>kbd:[Ctrl+Alt+Del]</pre>	kbd:[Ctrl+Alt+Del]

Element	Mark-up	Example rendered output
Link (external)	<pre>link:http://www.packetfence.org[PacketFence]</pre>	<a href="http://www.packetfence.org">PacketFence</a>

Element	Mark-up	Example rendered output
Lists  <b>NOTE</b> Do not put steps in bold.	<pre>.Ordered list  . First item . Second item . Third item  .Unordered list  * This * That * The other  .Definition or labeled list  Term A:: description Term B:: description  .Checklist * [ ] first step ** [ ] first task ** [ ] second task * [ ] second step * [ ] third step</pre>	<i>Ordered list</i> <ol style="list-style-type: none"> <li>1. First item</li> <li>2. Second item</li> <li>3. Third item</li> </ol> <i>Unordered list</i> <ul style="list-style-type: none"> <li>• This</li> <li>• That</li> <li>• The other</li> </ul> <i>Definition or labeled list</i> <p><b>Term A</b> description</p> <p><b>Term B</b> description</p> <i>Checklist</i> <ul style="list-style-type: none"> <li><input type="checkbox"/> first step       <ul style="list-style-type: none"> <li><input type="checkbox"/> first task</li> <li><input type="checkbox"/> second task</li> </ul> </li> <li><input type="checkbox"/> second step</li> <li><input type="checkbox"/> third step</li> </ul>

Literal value	.... The function returns <b>true</b> . ....	The function returns <b>true</b> .
---------------	--	------------------------------------

Element	Mark-up	Example rendered output
Package	<pre>Install the [package]`packetfence` package.</pre>	Install the <b>packetfence</b> package.
Product name	No special markup. Use {nbsp} in the company and product names. Example: Inverse{nbsp}Inc.	Inverse Inc.
Reference to PacketFence guides	<pre>See the PacketFence link:guide- url[_Installation Guide_] for more information.</pre>	See the PacketFence <a href="#">Installation Guide</a> for more information.



Element	Mark-up	Example rendered output
System or software variable to be replaced by the user	Use the following command to roll back a deployment, specifying the deployment name: <code>`oc rollback _deployment_`</code> .	Use the following command to roll back a deployment, specifying the deployment name: <code>oc rollback deployment</code> .
System or software configuration parameter or environment variable	Use the <code>`_IP_ADDRESS_`</code> environment variable for the server IP address.	Use the <code>IP_ADDRESS</code> environment variable for the server IP address.
System item, daemon, or service	<p>Include the <code>`pf::Switch`</code> library.</p> <p>Stop the <code>`pfqueue`</code> daemon.</p> <p>Start the <code>`iptables`</code> service.</p>	<p>Include the <code>pf::Switch</code> library.</p> <p>Stop the <code>pfqueue</code> daemon.</p> <p>Start the <code>packetfence-iptables</code> service.</p>

## 4.2. Checklist to create a new guide

- ❑ create PacketFence\_GUIDENAME.asciidoc based on PacketFence [Template Guide](#)
- ❑ update `all` target in Makefile
- ❑ update packaging (if necessary)
- ❑ update website listing to add a new guide

## 5. Development environment setup

This section will guide you through the setup of your development environment and once done, you will have an environment running the sources in `/usr/local/pf`.

First, you will need to deploy an RHEL 8 or Rocky 8 machine. No other operating systems are currently supported for a development environment.

**NOTE** | If you're running on Linode, disable Network helper: <https://www.linode.com/docs/guides/network-helper/>

Now, you need to figure out what is the current devel version number, you can obtain it from here: <https://github.com/inverse-inc/packetfence/blob/devel/conf/pf-release>

**IMPORTANT** | This example will use version `99.9` as the example version number.

Next, install PacketFence from the RPM repository:

```
yum localinstall
http://packetfence.org/downloads/PacketFence/RHEL8/packetfence-release-
99.9.e18.noarch.rpm -y
yum install kernel-devel-$(uname -r) -y
yum install packetfence --enablerepo=packetfence --allowrasing
```

Now, you must go through the configurator and validate you can login into the admin interface at the end.

Next, run:

```
dnf module install nodejs:12
bash /usr/local/pf/addons/dev-helpers/setup-dev-env.sh
```

You will now have to wait for 10-15 minutes after the startup so that all container images are built (they're built on runtime when using a dev environment)

# 6. Golang environment

## 6.1. PacketFence Golang libraries

### 6.1.1. Basic setup

This is a guide on how to setup/use the PacketFence Golang libraries.

In order to bootstrap your environment:

```
cd /usr/local/pf/go
make go-env
```

If you work directly on sources, you can run:

```
cd go
GO_REPO=${PWD} make go-env
```

This will install Golang version use to build PacketFence Golang binaries and check if all modules defined in `go.mod` are available.

You should then source your `.bashrc` to get the new environment variables:

```
source ~/.bashrc
```

You can get a complete overview of your Golang environment with `go env` command.

### 6.1.2. Pulling the dependencies

Dependencies use go modules and will be fetched automatically during build time.

You will also need `ipset-devel` and `pkgconfig` libraries which can be installed using the following command:

*RHEL-based systems*

```
yum install ipset-devel pkgconfig
```

*Debian-based systems*

```
apt install libipset-dev pkg-config
```

### 6.1.3. Update dependencies

After you add or remove Golang dependencies, you should run following command in `go` directory to update `go.mod` and `go.sum` files:

```
go mod tidy
```

### 6.1.4. Building the code

All code should be built into a Caddy middleware which we'll then use in a `Caddyfile` to create our recipes. Only reason for not using Caddy would be that the binaries doesn't interact using HTTP (which Caddy can handle at some point). For now, we'll focus only on services using HTTP until we're comfortable with Caddy.

A local version of Caddy is in `caddy/caddy`. This is a vendored version of Caddy which includes the plugins and middlewares for PacketFence.

In order to build the Caddy HTTP service (`pfhttpd`):

```
make pfhttpd
```

Do the same to build `pfdns`, `pfdhcp`, `pfdetect` and `pfstats`:

```
make all
make copy
```

### 6.1.5. Creating a service

Once you've built `pfhttpd`, you can use a `Caddyfile` to load your middleware and bind it on a specific port:

```
localhost:1234 {
  logger {
    requesthistory 100
    level DEBUG
  }
  statsd {
    proto udp
    prefix pfsso
  }
  pfsso
}
```

This file should be put in `/usr/local/pf/conf/caddy-services/pfexample.conf`

Note how you can control the logger configuration from the `Caddyfile`. If your middleware (in

this example `pfssso`) uses or calls the logger, you **must** declare it in your `Caddyfile`.

If your middleware uses `statsd`, you don't have to configure `statsd` in your `Caddyfile` which will result in the packets just not being sent (a dummy `statsd` client will be created).

You can start `pfhttpd` with your `Caddyfile` using the following command:

```
/usr/local/pf/sbin/pfhttpd -conf /usr/local/pf/conf/caddy-  
services/pfexample.conf
```

Once you have ascertained that the service is working correctly, you need to create an instance of `pf::services::manager` for it. You will also need to create a unitfile for it in `conf/systemd` like the following:

```
[Unit]  
Description=PacketFence Example Service  
Wants=packetfence-base.target packetfence-config.service packetfence-  
iptables.service  
After=packetfence-base.target packetfence-config.service packetfence-  
iptables.service  
Before=packetfence-pfexample.service  
  
[Service]  
PIDFile=/usr/local/pf/var/run/pfexample.pid  
ExecStart=/usr/local/pf/sbin/pfhttpd -conf /usr/local/pf/conf/caddy-  
services/pfexample.conf  
Restart=on-failure  
Slice=packetfence.slice  
  
[Install]  
WantedBy=packetfence.target
```

Make sure that the packaging is also updated to copy those files in the `/usr/lib/systemd/system` directory.

### 6.1.6. Running the tests

Like the [perl unit tests](#), the Golang tests rely on the presence of the test `pfconfig` process to execute properly.

In order to start the test `pfconfig` process:

```
cd /usr/local/pf/t && ./pfconfig-test
```

You can proceed to execute all or some of the Golang unit tests:

```
cd /usr/local/pf/go
```

```
go test ./...  
  
cd /usr/local/pf/go/firewallsso/lib  
go test
```

In order to run all the tests easily you can also do:

```
cd /usr/local/pf/go  
make test
```

# 7. Code conventions

## 7.1. Code style

**CAUTION** | Work in progress.

We are slowly migrating away from an automated `perltidy` code style. The reason we are not doing another pass of tidy is that it messes up code history and makes maintainer's job more complicated than it should be. Every new change uses the new guidelines so over time the old code style will slowly disappear.

- Lines of 120 character width maximum
- No tab characters
- Stay consistent with surrounding white spaces
- Document each subroutine in POD format (`perldoc perlpod`)
- Use constants instead of hard coded strings or numbers (use `constant` or `Readonly` modules)
- in object-oriented modules we use CamelCase <sup>[1]</sup> notation (ex: `$radiusRequest getVoIpAttributes();`)
- in procedural modules we use Perl's usual notation (ex: `$node_info{'pid'} = $current_request{'pid'};`)
- regular expressions should be documented (with the `/x` modifier)

```
if ($phone_number =~ /
    ^\(?([2-9]\d{2})\)? # captures first 3 digits allows parens
    (?:-|\.|\s)?      # separator -, ., space or nothing
    (\d{3})           # captures 3 digits
    (?:-|\.|\s)?      # separator -, ., space or nothing
    (\d{4})$         # captures last 4 digits
    /x) {
    return "$1$2$3";
}
```

- `SQL` should be capitalized, properly indented and always use named fields (no `*`)

```
$node_statements->{'node_add_sql'} = get_db_handle()->prepare(<<'SQL');
INSERT INTO node (
    mac, pid, category_id, status, voip, bypass_vlan,
    detect_date, regdate, unregdate, lastskip,
    user_agent, computername, dhcp_fingerprint,
    last_arp, last_dhcp,
    notes,
```

```
) VALUES (  
    ?, ?, ?, ?, ?, ?, ?, ?, ?, ?, ?, ?, ?, ?, ?, ?  
)  
SQL
```

[1] <http://en.wikipedia.org/wiki/CamelCase>



# 8. HTTP JSON API

PacketFence provides an HTTP JSON API which exposes most of its functionality.

The full API specification for:

- the latest stable release is available from: <https://packetfence.org/doc/api/>
- the latest devel release is available from: <https://packetfence.org/doc/api-devel/>

The API is exposed on 127.0.0.1 (localhost) as well as the management interface of the server for remote calls. Users access the API on TCP port 9999 over a secure connection (HTTPS).

Authentication can be done using either the webservices credentials or any credentials that are valid on the web admin interface.

## 8.1. How to use the API

### 8.1.1. On a PacketFence server

The `pfperl-api` command located in `/usr/local/pf/sbin/` directory can be use directly from a PacketFence server to query the API without having to specify an authentication token and extra-parameters.

Example to get your general configuration:

```
/usr/local/pf/sbin/pfperl-api get /api/v1/config/base/general \  
| python -m json.tool
```

Example to create a node:

```
/usr/local/pf/sbin/pfperl-api get -M POST /api/v1/nodes/ \  
-c '{"mac":"22:33:44:55:66:77","pid":"default"}' \  
| python -m json.tool
```

Example to create a node with JSON payload in a dedicated file:

*example.json*

```
{"mac":"22:33:44:55:66:77","pid":"default"}
```

```
cat example.json | \  
/usr/local/pf/sbin/pfperl-api get -M POST /api/v1/nodes/ \  
-c -
```

```
| python -m json.tool
```

### 8.1.2. On a different computer

#### NOTE

The API specification mentioned above provides ready-to-use curl commands through the "Try it out" button.

First, get an authentication token with the webservices credentials or an admin account:

```
curl -X POST "https://PF_MANAGEMENT_IP:9999/api/v1/login" \  
-H "accept: application/json" \  
-H "Content-Type: application/json" \  
-d "{\"username\":\"admin\",\"password\":\"admin\"}" \  
--insecure |  
python -m json.tool
```

You will get following response :

```
{  
  "token": "MY_TOKEN"  
}
```

Then use this token to query the API. The following example fetches the general configuration:

```
curl -X GET "https://PF_MANAGEMENT_IP:9999/api/v1/config/base/general" \  
-H "accept: application/json" \  
-H "Authorization: MY_TOKEN" \  
--insecure |  
python -m json.tool
```

Although the API should mostly stay the same, backward compatibility is not 100% guaranteed for the moment until the v1 API reaches full maturity.

# 9. Customizing PacketFence

## 9.1. Captive Portal

### 9.1.1. Presentation

#### XHTML Templates

Captive portal content use [Template Toolkit](#) templates. The default template files are located in `/usr/local/pf/html/captive-portal/templates`. You can freely edit the `HTML` code in these files.

Each template relies on `layout.html` for the common top and bottom portions of the page.

#### Internationalized AUP

In the event that you need an Acceptable Usage Policy that should be translated in different languages in the captive portal, you can create specially named templates that will be used for different languages.

For example, if the browser locale is `es_ES`, creating a template named `aup_text.es.html` will display this AUP when it detects this locale. Same goes for a browser with locale `en_US`, where creating a template named `aup_text.en.html` will be used for English browsers.

The template `aup_text.html` is used as the final fallback for all locales.

Note that you cannot use the full locale in the template name (i.e. `aup_text.en_US.html`) as only the two letter prefix should be used.

#### CSS

The easiest way to customize CSS is to override default CSS using a `<style>` tag inside `layout.html`.

`<style>` tag must be inserted just before `<\head>` in `layout.html`.

You also need to disable Content-Security-Policy (CSP) headers on captive portal (see [instructions](#)).

#### Workflow

When a `HTTP` request is received by the Apache web server, the following workflow happens:

1. URL is compared against the redirection instructions in `/usr/local/pf/conf/httpd.conf.d/captive-portal-cleanurls.conf`
2. Requested CGI script in `/usr/local/pf/html/captive-portal/` is executed
3. CGI script calls a `generate_<type>` which is defined in `/usr/local/pf/lib/pf/web.pm`

- The `generate_<type>` function populate the proper template in `/usr/local/pf/html/captive-portal/templates` in order to render the page

## Remediation Pages

The remediation page shown to the user during isolation are specified through the URL parameter of the given security event in `/usr/local/pf/conf/security_events.conf`. In its default configuration, PacketFence uses Template Toolkit to render text provided in the directory `/usr/local/pf/html/captive-portal/templates/security_events` and obeys to everything mentioned in the [Presentation](#) section.

## Translations

The language of the user registration pages is selected through the `general.locale` configuration parameter. Translatable strings are handled differently for the Remediation pages and the rest of the captive portal:

- Remediation pages

Strings defined in the security event pages (in `/usr/local/pf/html/captive-portal/templates/security_events`) will be looked up in the translation files in `/usr/local/pf/conf/locale/..` and if a translation is available the translated string will be the one visible on the captive portal.

Also, if you create a security event template with the name of your locale in `/usr/local/pf/html/captive-portal/templates/security_events` in the format: `<template_name>.<locale_name>.html`. It will be loaded instead of the default `<template_name>.html` and so you can put strings and HTML directly in your target language without the hassle of escaping everything properly as you would need to do with `gettext`.

For example, if `malware.es_ES.html` exists and you are using the `es_ES` (Spanish) locale then it will be loaded instead of `malware.html` on a security event set to load the `malware` template.

- Rest of the captive portal

In the templates, if a string is in a `i18n()` call it will be translated. Also `pf::web` takes care of performing some of the other translations.

## 9.2. Adding custom fields to the database

You can, if needed, add additional fields to the PacketFence database. Keep in mind though that this might lead to more work when you upgrade to the next PacketFence version. Depending on the degree of integration of these fields with PacketFence, you'll have to execute one or more of the following steps

### 9.2.1. Adding a field to the database only

In this case, the field is part of one of the main PacketFence tables, but PacketFence is unaware of it. PacketFence won't consult the field and won't be able to modify it. A possible usage scenario would be a 3rd party application which maintains this field.

Since PacketFence doesn't have to know about the field, all you have to do is execute your `SQL ALTER TABLE` query and you are done.

## 9.2.2. Adding a field and giving PacketFence read-only access

In this case, PacketFence can show the contents of the table using both `pfcmd` but won't be able to modify the contents of the field.

Start by modifying the database table using an `SQL ALTER TABLE` query.

Then, modify the Perl module having the same name as the table you have added the field to, i.e. If you added the field to the node table, then edit `/usr/local/pf/lib/pf/node.pm`. You'll have to modify the `SQL SELECT` queries at the beginning of the file to include your new field and, possibly the functions using these queries. If your new field should be used in reports, the dashboard or graphs, you'll also have to modify the queries in `/usr/local/pf/lib/pf/pfcmd/graph.pm`, `/usr/local/pf/lib/pf/pfcmd/report.pm` and `/usr/local/pf/lib/pf/pfcmd/dashboard.pm`.

## 9.2.3. Adding a field and giving PacketFence read-write access

Start by creating the read-only field as described above.

Then, modify the `SQL UPDATE` and `INSERT` queries in the database tables' Perl module, as well as the associated functions.

## 9.3. VLAN assignment

PacketFence uses the `getRegisteredRole` function defined in `pf::role::custom` to determine a node's VLAN. Here's the default function:

```
sub getRegisteredRole {
    # $switch is the switch object (pf::Switch)
    # $ifIndex is the ifIndex of the computer connected to
    # $mac is the mac connected
    # $node_info is the node info hashref (result of pf::node's node_view on
    $mac)
    # $conn_type is set to the connection type expressed as the constant in
    pf::config
    # $user_name is set to the RADIUS User-Name attribute (802.1X Username or
    MAC address under MAC Authentication)
    # $ssid is the name of the SSID (Be careful: will be empty string if radius
    non-wireless and undef if not radius)
    my ($self, $switch, $ifIndex, $mac, $node_info, $connection_type,
    $user_name, $ssid) = @_;

    my $logger = Log::Log4perl->get_logger();

    return $switch->getVlanByName('normalVlan');
}
```

As you can see, the function receives several parameters (such as the switch and full node details) which allow you to return the VLAN in a way that matches exactly your needs!

# 10. SNMP

## 10.1. Introduction

Good places to start reading about SNMP are <http://en.wikipedia.org/wiki/SNMP> and <http://www.net-snmp.org/>.

When working with SNMP, you'll sooner or later (in fact more sooner than later) be confronted with having to translate between OIDs and variable names. When the OIDs are part of the Cisco MIBs, you can use the following tool to do the translation: <http://tools.cisco.com/Support/SNMP/public.jsp>. Otherwise, you'll have to use `snmptranslate` for example and setup your own collection of MIBs, provided (hopefully) by the manufacturer of your network equipment.

## 10.2. Obtaining switch and port information

Below are some example of how to obtain simple switch and port information using SNMP. We'll assume that your switch understands SNMP v2, has the read community `public` defined and is reachable at `192.168.1.10`.

### 10.2.1. Switch Type

```
snmpwalk -v 2c -c public 192.168.1.10 sysDescr
```

### 10.2.2. Switchport indexes and descriptions

```
snmpwalk -v 2c -c public 192.168.1.10 ifDescr
```

### 10.2.3. Switchport types

```
snmpwalk -v 2c -c public 192.168.1.10 ifType
```

### 10.2.4. Switchport status

```
snmpwalk -v 2c -c public 192.168.1.10 ifAdminStatus  
snmpwalk -v 2c -c public 192.168.1.10 ifOperStatus
```

# 11. Supporting new network hardware

PacketFence is designed to ease the addition of support for new network hardware referred to as Network Devices. All supported network devices are represented through Perl objects with an extensive use of inheritance. Adding support for a new product comes down to extending the `pf::Switch` class (in `/usr/local/pf/lib/pf`).

The starting point to adding support for a new network device should be the vendor's documentation! First of all, you'll have to figure out the exact capabilities of the switch and how these capabilities will fit into PacketFence. Is it a Switch, an Access-Point or a Wireless Controller?

## 11.1. Switch

Will you be able to use only link change traps? Does your switch allow you to use MAC notification traps? Port Security? MAC Authentication? 802.1X?

### 11.1.1. Link change capabilities

You need to define a new class which inherits from `pf::Switch` and defines at least the following functions:

- `getMacAddrVlan`
- `getVersion`
- `getVlan`
- `getVlans`
- `isDefinedVlan`
- `parseTrap`
- `_getMacAtIfIndex`
- `_setVlan`

The `parseTrap` function will need to return an hash with keys `trapType` and `trapIfIndex`. The associated values must be `up` or `down` for `trapType` and the traps' `ifIndex` for `trapIfIndex`. See a similar switch's implementation for inspiration. Usually recent modules are better coded than older ones.

### 11.1.2. MAC notification capabilities

In addition to the functions mentioned for link change, you need to define the following function:

- `isLearntTrapsEnabled`

Also, your `parseTrap` function will need to return `trapOperation`, `trapVlan` and `trapMac` keys in addition to `trapType` equals `mac`. See a similar switch's implementation for inspiration. Usually recent modules are better coded than older ones.

### 11.1.3. Port security capabilities

In addition to the functions mentioned for link change, you need to define the following functions:

- `isPortSecurityEnabled`
- `authorizeMAC`

In this case, the `parseTrap` function needs to return `secureMacAddrViolation` for the `trapType` key. See a similar switch's implementation for inspiration. Usually recent modules are better coded than older ones.

### 11.1.4. MAC Authentication

**NOTE** | Work in progress

#### NAS-Port translation

Often the `ifIndex` provided by the switch in a RADIUS `Access-Request` is not the same as it's real world physical equivalent. For example in Cisco requests are in the 50xxx while physical `ifIndex` are 10xxx. In order for PacketFence to properly shut the port or request re-authentication a translation between the two is required. To do so provide an implementation of the following interface:

- `NasPortToIfIndex`

#### MAC Authentication re-evaluation

MAC Authentication re-evaluation is necessary in order to provoke a VLAN change in the PacketFence system. This happens for instance when a node is isolated based on an IDS event or when the user successfully authenticates through the captive portal. The default implementation in `pf::Switch` will bounce the port if there is no Voice over IP (VoIP) devices connected to the port. Otherwise it will do nothing and send an email. If your device has specific needs (for example it doesn't support RADIUS Dynamic VLAN Assignments) override:

- `handleReAssignVlanTrapForWiredMacAuth`

Please note that the default implementation works 99% of the time. If you are unsure whether to override, it means you don't need to override.

Once the MAC Authentication works, add the Wired MAC Auth capability to the switch's code with:

```
sub supportsWiredMacAuth { return $TRUE; }
```

### 11.1.5. 802.1X

**NOTE** | Work in progress

#### NAS-Port translation

Often the `ifIndex` provided by the switch in a RADIUS `Access-Request` is not the same as it's



real world physical equivalent. For example in Cisco requests are in the 50xxx while physical ifIndex are 10xxx. In order for PacketFence to properly shut the port or request re-authentication a translation between the two is required. To do so provide an implementation of the following interface:

- `NasPortToIfIndex`

So far the implementation has been the same for MAC Authentication and 802.1X.

### Force 802.1X re-authentication

802.1X re-authentication is necessary in order to provoke a VLAN change in the PacketFence system. This happens for instance when a node is isolated based on an IDS event or when the user successfully authenticates through the captive portal. The default implementation in `pf::Switch` uses SNMP and the standard `IEEE8021-PAE-MIB` and is generally well supported. If the default implementation to force 802.1X re-authentication doesn't work override:

- `dot1xPortReauthenticate`

Proper 802.1X implementations will perform re-authentication while still allowing traffic to go through for supplicants under re-evaluation.

Once the `802.1X` works, add the Wired Dot1X capability to the switch's code with:

```
sub supportsWiredDot1x { return $TRUE; }
```

### 11.1.6. RADIUS Dynamic Authorization (RFC3576)

**NOTE** RADIUS Dynamic Authorization implementation is not recommended on the wired side at this point.

RADIUS Dynamic Authorization also known as RADIUS Change of Authorization (CoA) or RADIUS Disconnect Messages is supported by PacketFence starting with version 3.1.

On wired network devices CoA can be used to change the security posture of a MAC and perform other functions like bounce a port. So far we only encountered support for CoA on the wired side on the Cisco hardware. For an implementation example check `_radiusBounceMac` in `pf::Switch::Cisco`.

### 11.1.7. Floating Network Devices Support

Floating Network Devices are described in the Administration Guide under "Floating Network Devices" in the "Optional Components" section. Refer to this documentation if you don't know what Floating Network Devices are.

In order to support Floating Network Devices on a switch, you need to implement the following methods:

- `setPortSecurityEnableByIfIndex($ifIndex, $enable)`
- `isTrunkPort($ifIndex)`
- `setModeTrunk($ifIndex, $enable)`
- `setTaggedVlans($ifIndex, $switch_locker_ref, @vlans)`

- `removeAllTaggedVlans($ifIndex, $switch_locker_ref)`

You might need to implement the following:

- `enablePortConfigAsTrunk($mac, $switch_port, $switch_locker, $taggedVlans)`

Provided by `pf::Switch` core as the glue between `setModeTrunk()`, `setTaggedVlans()` and `removeAllTaggedVlans()`. Override if necessary.

- `disablePortConfigAsTrunk($switch_port)`

Provided by `pf::Switch` core as the glue between `setModeTrunk()`, `setTaggedVlans()` and `removeAllTaggedVlans()`. Override if necessary.

- `enablePortSecurityByIfIndex($ifIndex)`

Provided by `pf::Switch` core as a slim accessor to `setPortSecurityEnableByIfIndex()`. Override if necessary.

- `disablePortSecurityByIfIndex($ifIndex)`

Provided by `pf::Switch` core as a slim accessor to `setPortSecurityEnableByIfIndex()`. Override if necessary.

- `enableIfLinkUpDownTraps($ifIndex)`

Provided by `pf::Switch` core as a slim accessor to `setIfLinkUpDownTrapEnable`. Override if necessary.

- `disableIfLinkUpDownTraps($ifIndex)`

Provided by `pf::Switch` core as a slim accessor to `setIfLinkUpDownTrapEnable`. Override if necessary.

Once all the required methods are implemented, enable the capability in the switch's code with:

```
sub supportsFloatingDevice { return $TRUE; }
```

## 11.2. Wireless Access-Points or Controllers

### 11.2.1. Minimum hardware requirements

PacketFence's minimum requirements regarding Wireless hardware is:

- definition of several SSID with several VLANs inside every SSID (minimum of 2 VLANs per SSID)
- RADIUS authentication (MAC Authentication / 802.1X)
- Dynamic VLAN assignment through RADIUS attributes
- a means to de-associate or de-authenticate a client through CLI (Telnet or SSH), SNMP, RADIUS Dyn-Auth <sup>[1]</sup> or WebServices

Most of these features are available on enterprise grade Access Points (AP) or Controllers. Where

the situation starts to vary wildly is for deauthentication support.

### 11.2.2. De-authentication techniques

#### CLI (SSH or Telnet)

An error prone interface and requires preparation for the SSH access or is insecure for Telnet. Not recommended if you can avoid it.

#### SNMP

SNMP de-authentication works well when available. However Vendor support is not consistent and the OID to use are not standard.

#### RADIUS Dynamic Authorization (RFC3576)

RADIUS Dynamic Authorization also known as RADIUS Change of Authorization (CoA) or RADIUS Disconnect Messages is supported by PacketFence starting with version 3.1. When supported it is the preferred technique to perform de-authentication. It is standard and requires less configuration from the user.

An actual implementation can be found in `pf::Switch::Aruba`.

### 11.2.3. Template module

Start with a copy of the template module `pf/lib/pf/Switch/WirelessModuleTemplate.pm` and fill in appropriate documentation and code.

### 11.2.4. Required methods

You need to implement at least:

#### `getVersion()`

Fetches firmware version

#### `parseTrap()`

Parses the SNMP Traps sent by the hardware. For wireless hardware an empty method like the one in `pf::Switch::WirelessModuleTemplate` is ok.

#### `deauthenticateMac()`

Performs deauthentication

#### `supportsWirelessMacAuth()`

Return `$TRUE` if MAC-Authentication is supported

#### `supportsWirelessDot1x()`

Return `$TRUE` if 802.1X (aka WPA-Enterprise) is supported

### 11.2.5. Override methods

If default implementation of the following methods doesn't work you will need to override them:

`extractSsid()`

Extract SSID from RADIUS Request

### 11.2.6. Special case: bridged versus tunneled modes and deauthentication

It is important to validate the Access-Point (AP) to Controller relationship when operating in bridged mode versus when operating in tunneled mode. For example, some hardware will send the RADIUS `Access-Request` from the AP when in bridged mode even though it is controlled by a controller. This behavior impacts deauthentication because it still needs to be performed on the controller. To support this behavior a `switches.conf` parameter was introduced: `controller_ip`.

When adding a new Wireless module try to validate the bridged versus tunneled behavior and modify `deauthenticateMac()` to honor `controller_ip` if required.

## 11.3. The "adding a new network device module in PacketFence" checklist

Here's a quick rundown of the several files you need to edit in order to add a new switch into PacketFence. There's a plan to reduce this amount of work in progress see [issue #1085](#).

- Tested model and firmware version should be documented in module's POD
- Any bugs and limitations should be documented in module's POD
- Make sure that all tests pass
- Add configuration documentation to the Network Devices Guide
- Add switch to the Network Devices Guide's switch chart
- Add switch to the chart in `README.network-devices`

[1] RADIUS Dynamic Authorization (RFC 3576) aka Change of Authorization (CoA) or Disconnect-Messages (DM aka PoD)

# 12. PacketFence builds

## 12.1. Packer

To build PacketFence, we use [Packer](#) to create [container images](#) that are then used in a GitLab pipeline.

## 12.2. Anatomy of Packer template

PacketFence rely on [gitlab-buildpkg images](#) to run GitLab pipeline with [gitlab-buildpkg-tools](#). Packer template ([pfbuild.json](#)) use these images as base to build inverse-inc container images.

### 12.2.1. Custom build dependencies

To start building PacketFence, we need to install specific things in images like:

- custom repositories and GPG keys to install RPM or DEB packages at build time
- install and configure upstream softwares necessary to build PacketFence if we can't use packages

We use Ansible and shell scripts to cover these steps. It's possible because Python is already installed in [gitlab-buildpkg images](#).

### 12.2.2. Build dependencies in packages specs

Build dependencies need to be install in container images before starting build process. We rely on [gitlab-buildpkg-tools](#) to automatically install those dependencies based on packages specifications file. Consequently, all build requires need to be define in packages specifications file.

### 12.2.3. Golang environment

We use Packer to set up a Golang environment in order to build Golang binaries in container images.

We also set environment variables in container images, using [ENV](#) directives, to simplify usage of [go](#) commands.

### 12.2.4. Clean up

To make container images lightweight, we make a clean up at end of the process.

## 12.3. How to build container images ?

Container images are built inside a GitLab pipeline.

### 12.3.1. Prerequisites

Install following softwares:

- [Packer](#) (>=1.6.5)
- [Docker](#)
- Ansible (>=2.10)

### 12.3.2. Makefile

Because we run build inside a GitLab pipeline, many environment variables can be set to change build behavior. A **Makefile** and a wrapper are provided to simplify creation of a new container images based on environment variables.

*Example usage of Makefile*

```
DOCKER_TAGS=feature-pfconfig-container \  
REGISTRY_USER=InverseBot REGISTRY_PASSWORD=REDACTED \  
REGISTRY=ghcr.io REGISTRY_URL=${REGISTRY}/inverse-inc/packetfence \  
make -e -C ci/packer build_img_docker_pfbuild
```

## 12.4. Troubleshooting

You can troubleshoot issues in Packer builds by setting environment variable **\$PACKER\_LOG** environment variable to **1**.

# 13. Developer recipes

## 13.1. Virtual environment

To test PacketFence on several distributions, we used Vagrant virtual machines. You can set up a similar environment to develop.

### 13.1.1. Virtual environment: prerequisites

Install following softwares:

- [Vagrant](#) (>= 2.2.10) provided by Hashicorp
- libvirt, KVM/QEMU and vagrant-libvirt if you want to use libvirt as a provider for Vagrant
- pywinrm > 0.3.0 if you want to use [ad](#) virtual machine
- Ansible = 2.10.X

### 13.1.2. Virtual environment: initial setup

Install Ansible and Ansible code

*RHEL-based systems*

```
yum install -y python3-pip
```

*Debian-based systems*

```
apt update  
apt install -y python3-pip
```

Then install Ansible through [pip](#):

```
pip3 install --user 'ansible<3'
```

After installing Ansible through [pip](#), you need to add `$HOME/.local/bin/` to your PATH.

Using [ansible-galaxy](#) command, you can then pull PacketFence's collection and Ansible roles:

```
cd packetfence/addons/vagrant  
ansible-galaxy install -r requirements.yml
```

## 13.2. Running development version

### 13.2.1. Bleeding edge

For day to day development one can run a checkout of the current development branch in `/usr/local/pf/` and develop there within a working setup.

### 13.2.2. Not so bleeding edge

If you prefer to use packages, you can install latest PacketFence packages from nightly builds.

#### Initial setup

Install [prerequisites](#) and follow [initial setup](#) then start `pf*dev` machines.

These machines will be auto-configured to install nightly builds from development repositories.

#### Packages from PPA

If you want to install latest packages built in the pipeline, available on [GitLab](#), you can use following commands:

```
CI_PROJECT_NAME="ppa" CI_PAGES_URL="http://inverse-inc.gitlab.io/packetfence"
vagrant up VM_NAME
```

**WARNING** | Packages available here could be build on other branches than devel.

#### Day to day usage

To keep your machine up-to-date, you can run the following commands:

```
vagrant provision --provision-with=install VM_NAME
```

Make sure you read the [Upgrade Guide](#) after every upgrades to avoid any surprises.

#### Running an Ansible playbook against Vagrant virtual machines

If you want to use Ansible directly against Vagrant virtual machines (already started), you can use following commands:

```
ansible-playbook site.yml --limit VM_NAME
```

It's possible because we use a static Ansible inventory. This inventory is also used by Vagrant to start virtual machines.

#### Specific version of a package

If you want to install a specific version of a package, you can create a YAML file that override default inventory, for example:



```
cat >> extra.yml << EOF
packetfence_install__centos_packages:
  - packetfence-9.2.0-20191126180126.98740132.0007.e17
EOF
ansible-playbook site.yml --limit VM_NAME -e @extra.yml
```

# 14. Containers recipes

## 14.1. Glossary

- A server running the packages: A PacketFence server installed using the RPM or DEB packages and not converted to a dev machine (i.e. what PacketFence users deploy)

## 14.2. Applying a custom patch on a server running the packages

When applying a custom patch or adding debug in the code on a PacketFence 12.0+ server, additional steps must be taking for your change to be effective in the service(s) running in container mode.

To know if a service runs in container mode, run `systemctl status` on the service (ex: `systemctl status packetfence-pfpci`) and check if one of the child processes contains `docker run`.

After you've altered the code on the server and you're satisfied with the changes, run the following command:

```
# (pfpci is being used in this example, replace with the appropriate container
name)
/usr/local/pf/addons/dev-helpers/build-local-container.sh pfpci
```

Make sure the build succeeds and then restart the service using `systemctl restart [service-name]` to make your change active.

### WARNING

If you apply the maintenance or upgrade PacketFence, your changes to this container will be lost

## 14.3. Altering the code in a container on a server running the packages

If you alter the code in a running container, your change will be lost the next time the container restarts. In order to make your change permanent, run:

```
# (pfpci is being used in this example, replace with the appropriate container
name)
/usr/local/pf/addons/dev-helpers/commit-local-container.sh pfpci
```

### WARNING

If you apply the maintenance or upgrade PacketFence, your changes to this container will be lost

# 15. Running tests

## 15.1. Unit tests

### 15.1.1. Unit tests: prerequisites

Prerequisites to run unit tests:

- MariaDB up and running
- PacketFence package(s) installed with all dependencies in `/usr/local/pf` directory
- Fingerbank API key configured
- Environment variables defined:
  - `PF_TEST_MGMT_INT`
  - `PF_TEST_MGMT_IP`
  - `PF_TEST_MGMT_MASK`
- [Golang environment](#)

You can meet these prerequisites by starting a `pf*dev` Vagrant virtual machine using instructions in [Virtual environment: initial setup](#) section.

Inside `pf*dev` virtual machines, `t` directory will be available under `/usr/local/pf/t`.

### 15.1.2. Running all unit tests

After a `vagrant up` command, unit tests should have been run. If you want to run them again, execute following command:

```
vagrant provision --provision-with=run-unit-tests VM_NAME
```

This will upload `run-tests.sh` script on virtual machine to run it.

#### IMPORTANT

Don't forget to run a `vagrant rsync VM_NAME` before running unit tests again if you modify `t` directory on your host. This will upload latest changes made to `/src/t` directory in `VM_NAME`.

### 15.1.3. Running Perl unit tests

If you want to run only Perl unit tests, disable Golang unit tests using `GOLANG_UNIT_TESTS` environment variable:

```
GOLANG_UNIT_TESTS=no vagrant provision --provision-with=run-unit-tests VM_NAME
```

## 15.1.4. Running Golang unit tests

If you want to run only Golang unit tests, disable Perl unit tests using `PERL_UNIT_TESTS` environment variable:

```
PERL_UNIT_TESTS=no vagrant provision --provision-with=run-unit-tests VM_NAME
```

You can get more details on Golang unit tests in [Golang section](#).

## 15.1.5. Wrapper

In `ci/lib/test`, you will find a `Makefile` used as a wrapper to start, test and destroy virtual machines. Examples:

*Usage of Makefile*

```
make -C ci/lib/test test-pfcen7dev-dev
make -e -C ci/lib/test test-pfcen7dev-dev
make PF_VM_NAME=pfdeb9dev PERL_UNIT_TESTS=no -C ci/lib/test test
make PF_VM_NAME=pfdeb9dev clean
```

## 15.2. Integration tests

The aim of integration tests is to test common PacketFence scenarios and integrations in a pipeline.

Integration tests rely on:

- [Virtual environment](#)
- network topologies built using `libvirt` <sup>[1]</sup>
- virtual machines different than PacketFence to test integrations

### 15.2.1. Network subnets and IP addresses

*Table 2. Subnet table*

Network name	Subnet	VLAN ID
Management	172.17.17.0/24	17
Registration	172.17.2.0/24	2
Isolation	172.17.3.0/24	3
Inline L2	172.17.6.0/24	6
Inline L3	172.17.18.0/24	18
Internet	192.168.121.0/24	100

Management network is used to provision each virtual machine using Ansible to put them in a

desired state.

Table 3. IP addresses assigned to virtual machines

Virtual machine	Network name	IP address
pfel8dev	Management	172.17.17.10
pfel8stable	Management	172.17.17.14
pfdeb11dev	Management	172.17.17.12
pfdeb11stable	Management	172.17.17.16
ad	Management	172.17.17.100
linux01	Management	172.17.17.101
linux02	Management	172.17.17.102
switch01	Management	172.17.17.201
wireless01	Management	172.17.17.210
node01	Management	172.17.17.251
node02	Management	172.17.17.252
pf*dev or pf*stable	Registration	172.17.2.2
pf*dev or pf*stable	Isolation	172.17.3.2
pf*dev or pf*stable	Inline L2	172.17.6.2
switch01	Inline L2	172.17.6.3
switch01	Inline L3	172.17.18.254

**NOTE** | First IP address (.1) in each subnet is reserved for **libvirt** hypervisor.

## 15.2.2. Wired network topology

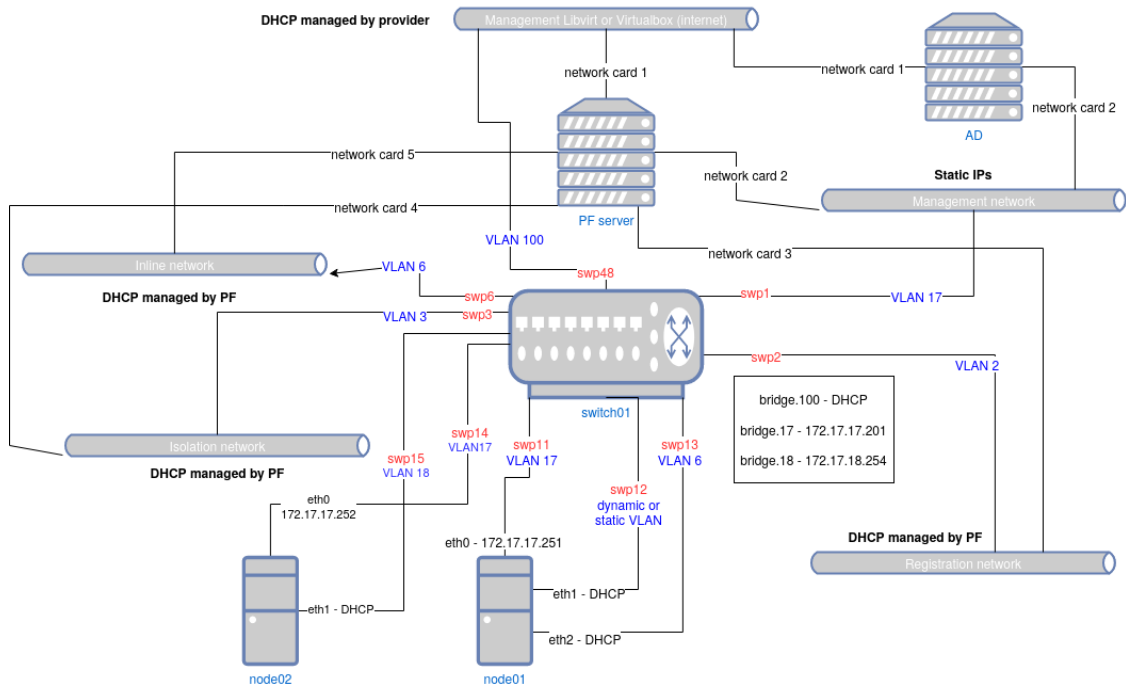


Figure 2. Wired network topology

## Initial Provisioning

switch01, node01 and node02 are provisioned using Vagrant like this:

- a first boot with basic shell provisioning to configure interfaces remap and networks
- a second boot that handles interface remap
- an Ansible provisioning

Provisioning is deliberately minimalist to make the most during integration tests.

## Inventory Information

Table 4. IPAM table

Virtual machine	Interfaces	MAC address
switch01	swp48, bridge, bridge.6, bridge.17, bridge.18, bridge.100	Same MAC, automatically generated
switch01	swp1	a0:00:00:00:00:01
switch01	swp2	44:38:39:00:00:02
switch01	swp3	44:38:39:00:00:03
switch01	swp6	44:38:39:00:00:06
switch01	swp11	44:38:39:00:00:11
switch01	swp12	44:38:39:00:00:12

Virtual machine	Interfaces	MAC address
switch01	swp13	44:38:39:00:00:13
switch01	swp14	44:38:39:00:00:14
switch01	swp15	44:38:39:00:00:15
node01	eth0	a0:00:00:00:00:12
node01	eth1	00:03:00:11:11:01
node01	eth2	00:03:00:11:11:02
node02	eth0	a0:00:00:00:00:22
node02	eth1	00:03:00:11:12:01

### 15.2.3. Wireless network topology

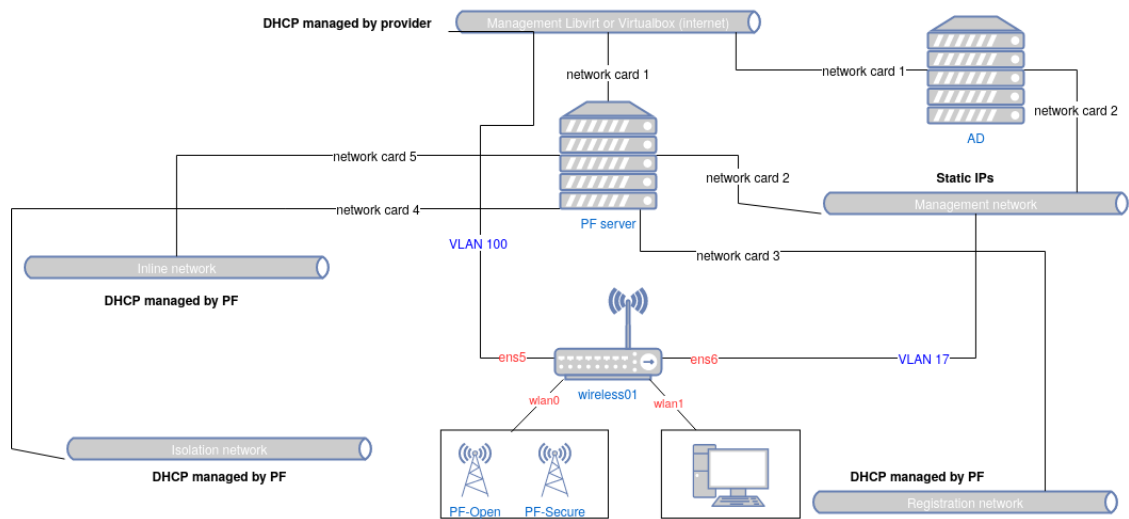


Figure 3. Wireless network topology

### Inventory Information

Table 5. IPAM table

Virtual machine	Interfaces	MAC address
wireless01	wlan0 (hostapd managed interface)	02:00:00:00:00:00
wireless01	wlan0.XXX (with XXX VLAN returned by PacketFence in RADIUS reply)	02:00:00:00:00:00
wireless01	wlan1 (wpa_supplicant interface)	02:00:00:00:01:00

On wireless01:

- `wlan0` is the interface which represents an access point (NAS for PacketFence)
- `wlan1` is the interface which represents a supplicant (node for PacketFence)

## 15.2.4. Virtual machines

### Active Directory Server

Virtual machine called `ad` will be auto-provisioned with:

- a DNS domain
- an Active Directory domain
- Active Directory Certificate Services (AD CS) with auto-enrollment using a GPO
- a `vagrant-domain` account, member of Domain admins group, with `VagrantPass1` as password
- a `packetfence` account, member of Domain users group, with `P@ck3tF3nc3pass` as password

Several reboots are necessary before machine can be provisioned by Ansible. During initial Ansible provisioning, several reboots will occur too. It takes like 10 minutes to have a machine up and running.

You can find credentials of AD accounts (domain administrator and PacketFence user) in following files: `* $PF_ROOT/addons/vagrant/inventory/group_vars/winervers/domain_setup.yml *`  
`$PF_ROOT/addons/vagrant/inventory/group_vars/winervers/init_directory.yml`

### Switch01

`switch01` is a virtual switch that uses [Cumulus Linux 3.7](#) system.

This switch is configured using a [VLAN aware-bridge](#) to manage VLAN on interfaces (recommended approach)

`hostapd` is the daemon responsible to send 802.1X and MAC Authentication requests to RADIUS server (as described in [802.1X Cumulus Linux documentation](#)). We configured this daemon using Ansible with RADIUS server informations. However, daemon will be started during integration tests when switch interfaces are involved.

### Node01 and Node02

`node01` is a Debian Buster virtual machine used as node to test wired PacketFence features like 802.1X, MAC authentication, registration, isolation and inline scenarios.

`node02` is identical to `node01` but is only used to test inline L3 features of PacketFence.

These machines have an Internet access only during its first boot to emulate a node connected to a switch controlled by PacketFence. After the reboot, machines are only reachable using management network: `vagrant ssh node01` will not work.

All interfaces of `node01` and `node02` are up after initial provisioning. We rely on `switch01` configuration to trigger specific scenario.

Because `node01` and `node02` have no IP on management network during first boot, Ansible provisioning through Vagrant is specific and made in two steps:



- pre-provisioning using **dynamic** inventory generated by Vagrant and a specific playbook
- post-provisioning identical to other Vagrant VMs (but without any Internet access)

Pre-provisioning playbooks should be used to install everything that require an Internet access.

Pre-provisioning step will not use variables defined in common Ansible inventory: variables need to be defined directly in playbooks that run during this step. Variables defined in common Ansible inventory and in playbooks need to be consistent to avoid an override during post-provisioning.

## Wireless01

**wireless01** is a Debian Buster virtual machine used as a virtual switch and node. It is used to test Wireless PacketFence features like 802.1X, MAC authentication.

**hostapd** is the daemon responsible to send 802.1X and MAC Authentication requests to RADIUS server. It is using the kernel module `mac80211_hwsim`, a software simulator of 802.11 radio(s) for `mac80211` (as described in [Linux Wireless mac80211\\_hwsim](#)). We configured this daemon using Ansible with RADIUS server informations.

Two deamons are available. One for an Open SSID and the other for a Secure SSID. Both are set to not run at the same time.

**wpa\_supplicant** utility is an implementation of the WPA Supplicant component with support for WPA and WPA2 (IEEE 802.11i / RSN). Supplicant is the IEEE 802.1X/WPA Supplicant for wireless network devices. It implements key negotiation with a WPA Authenticator which controls the roaming and IEEE 802.11 authentication/association of the wlan driver.

## Linux servers

Linux servers are used to:

- provide infrastructure services to PacketFence server(s)
- host services to test integration with PacketFence

They are provisioned using Ansible.

[1] based on Cumulus Networks's project [cldemo](#)

# 16. Contributing

Here are some golden rules of contributing to PacketFence:

- Be active on the [developer mailing list](#)

The place to be if you want to contribute to the PacketFence project is our developers mailing list: <https://lists.sourceforge.net/lists/listinfo/packetfence-devel>. Let us know your issues, what you are working on and how you want to solve your problems. The more you collaborate the greater the chances that your work will be incorporated in a timely fashion.

- Use the issue tracker: <https://packetfence.org/bugs/>

Good chances that the bug you want to fix or the feature you want to implement is already filed and that information in the ticket will help you.

- Please provide small, focused and manageable patches or pull-requests

If you plan on doing a lot of code, use `git` and track our current stable branch called `stable`. Develop the feature in small chunks and stay in touch with us. This way it'll be merged quickly in our code base. Ideally there would be no big code dumps after finishing a feature.

## 16.1. Creating patches

**NOTE** Since we migrated to git / github, using these tools is recommended over sending patches by hand.

Patches should be sent in unified diff format. This can be obtained from the `diff` or `git` tools.

```
diff -u oldfile newfile
```

or from a checkout of the PacketFence source code from `git`:

```
git diff
```

## 16.2. Translations

The internationalization process uses `gettext`. If you are new to `gettext`, please consult <http://www.gnu.org/software/gettext/manual/gettext.html#Overview> for a quick introduction.

The PO files are stored in `/usr/local/pf/conf/locale`. List that directory to see the languages we currently have translations for.

### 16.2.1. Online using Transifex

We use the hosted service Transifex to translate PacketFence's PO files. It offers the possibility to translate all the strings online as well as providing a command-line tool to push your changes. It's very convenient.

To use Transifex, you must first sign up for a free account here: <https://www.transifex.net/plans/signup/free/>

- Once registered, [request a new team for your language](#)
- Once authorized, you'll be able to start/continue translating PacketFence in your language

If you need further help about using Transifex, you might want to have [a look here](#).

### 16.2.2. Using traditional method

If you want to add support for a new language, please follow these steps:

1. create a new language subdirectory in `/usr/local/pf/conf/locale`
2. change into your newly created directory
3. create a new subdirectory `LC_MESSAGES`
4. change into your newly created directory
5. copy the file `/usr/local/pf/conf/locale/en/LC_MESSAGES/packetfence.po` into your directory
6. translate the message strings in `packetfence.po`
7. create the MO file by executing:

```
/usr/bin/msgfmt packetfence.po
```

Submit your new translation to the PacketFence project by contacting us at [packetfence-devel@lists.sourceforge.net](mailto:packetfence-devel@lists.sourceforge.net).

# 17. Additional Information

For more information, please consult the mailing archives or post your questions to it. For details, see:

- [packetfence-announce@lists.sourceforge.net](mailto:packetfence-announce@lists.sourceforge.net): Public announcements (new releases, security warnings etc.) regarding PacketFence
- [packetfence-devel@lists.sourceforge.net](mailto:packetfence-devel@lists.sourceforge.net): Discussion of PacketFence development
- [packetfence-users@lists.sourceforge.net](mailto:packetfence-users@lists.sourceforge.net): User and usage discussions

# 18. Commercial Support and Contact Information

For any questions or comments, do not hesitate to contact us by writing an email to: [support@inverse.ca](mailto:support@inverse.ca).

Inverse (<https://inverse.ca>) offers professional services around PacketFence to help organizations deploy the solution, customize, migrate versions or from another system, performance tuning or aligning with best practices.

Hourly rates or support packages are offered to best suit your needs.

Please visit <https://inverse.ca/> for details.

# 19. GNU Free Documentation License

Please refer to <http://www.gnu.org/licenses/fdl-1.2.txt> for the full license.